

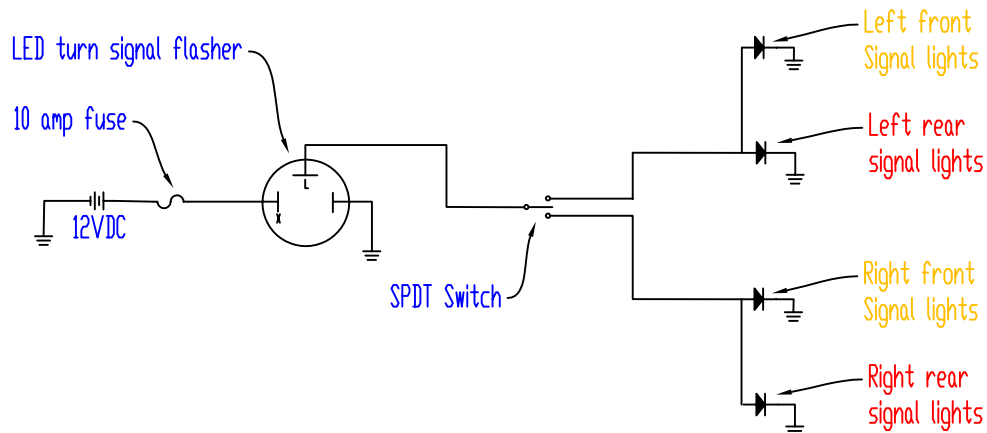
Turn signal wiring diagram for all Harrison Specialties LED lights.

This diagram shows the wiring for adding LED turn signals to any 12 volt DC vehicle. Some examples are 4 wheelers, golf cars, street rods, sand rails, etc. A kit with the parts shown on the diagram can be found on our website.

This diagram also shows the standard wiring used on most vehicles with factory installed signals. Many vehicles use a thermal flasher which should be replaced with the LED flasher to eliminate fast or non flashing LED problems.

This diagram assumes the use of the electronic LED signal flasher offered on our website at www.HarrisonSpecialties.com

LED turn signal wiring diagram using electronic signal flasher
Eliminates fast and non flashing turn signal problems



Parts available at www.HarrisonSpecialties.com