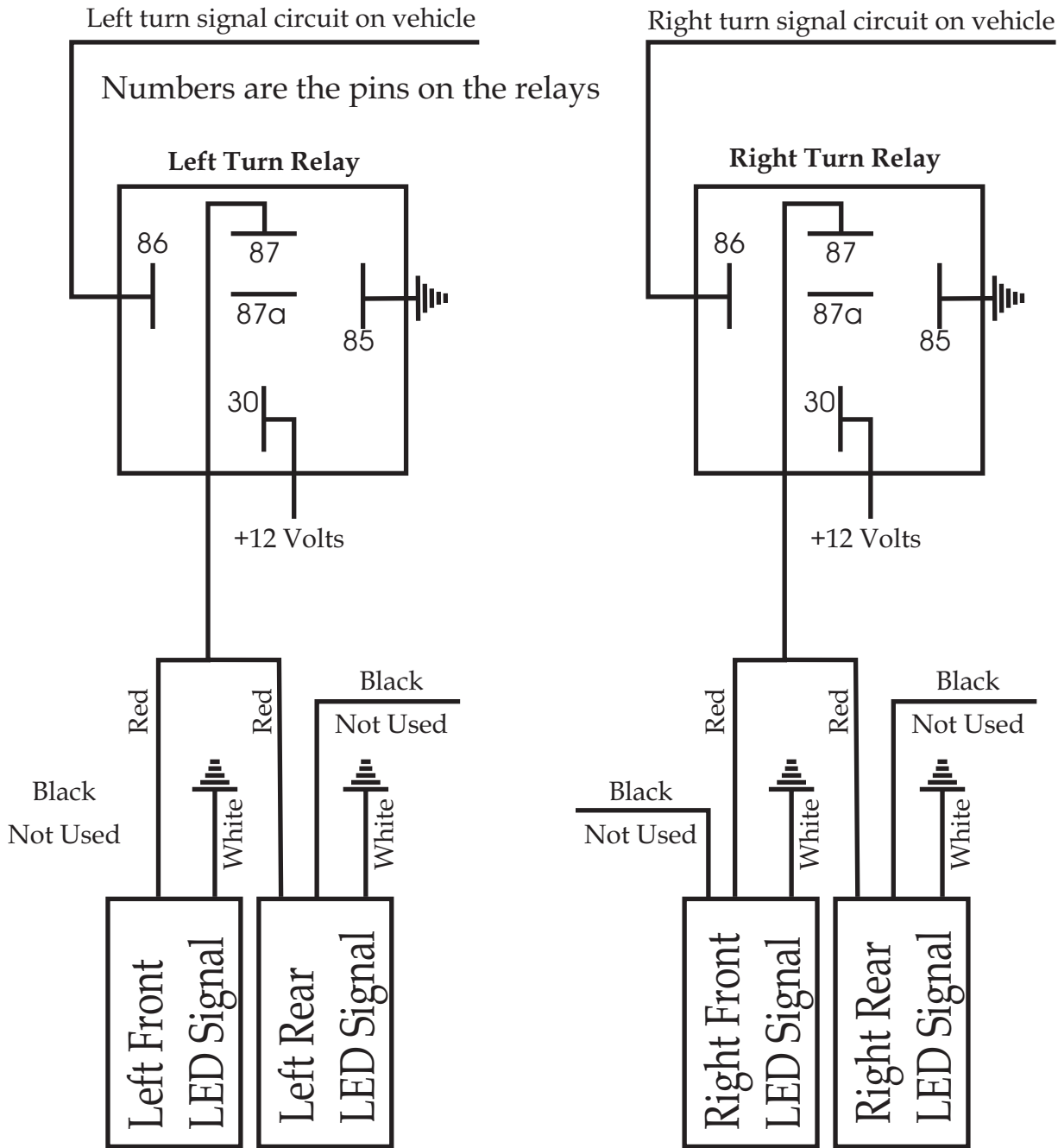


Harrison Specialties LED Light Wiring Diagram

Be sure to check www.harrisonspecialties.com for more lights and other motorcycle accessories

This wiring diagram causes the LED lamps to operate as normal turn signals when operated with any signal flasher.

NOTE: If the vehicle has a thermal turn signal flasher, this relay system may be needed to allow the LEDs to operate at full brightness. If the vehicle has a solid state flasher, relays are not needed in many cases. In that case simply wire the LEDs to the existing turn signal circuits.



Corbin Seat Aftermarket Backrests Available for \$89.99 at www.harrisonspecialties.com