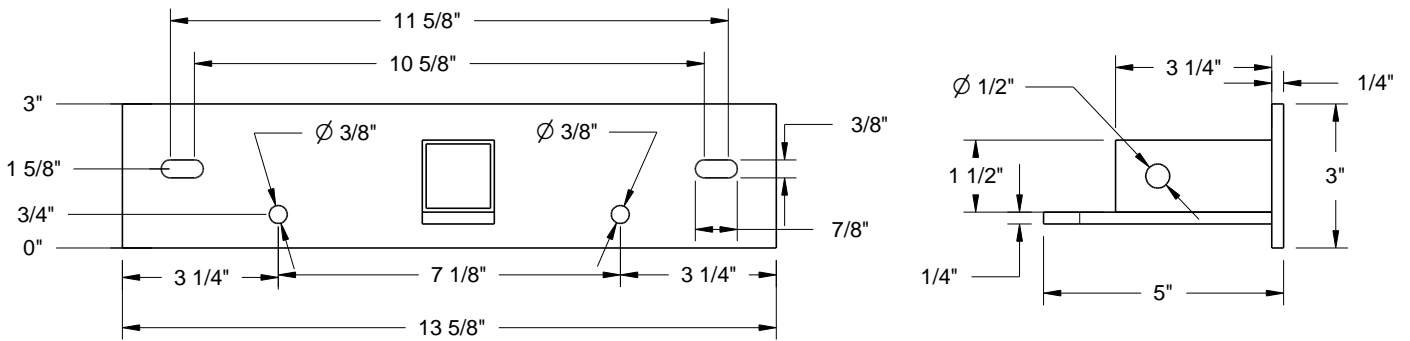
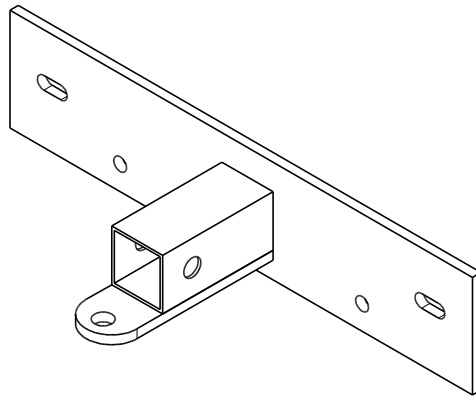


Universal trailer hitch for zero turn mower design deminsions



Description: Universal hitch for zero turn mower

Material: Steel

Part # ZTR Trailer Hitch

Tolerance :
 X/X ± 1/64
 .X ± .02
 .XX ± .01
 .XXX ± .003

Finish: Black powder coat

Date: 3/7/12

Rev:

Scale:

Sheet: 1 of 1

© 2012 Harrison Specialties LLC All Rights Reserved